

# RENOVA

RCD Group



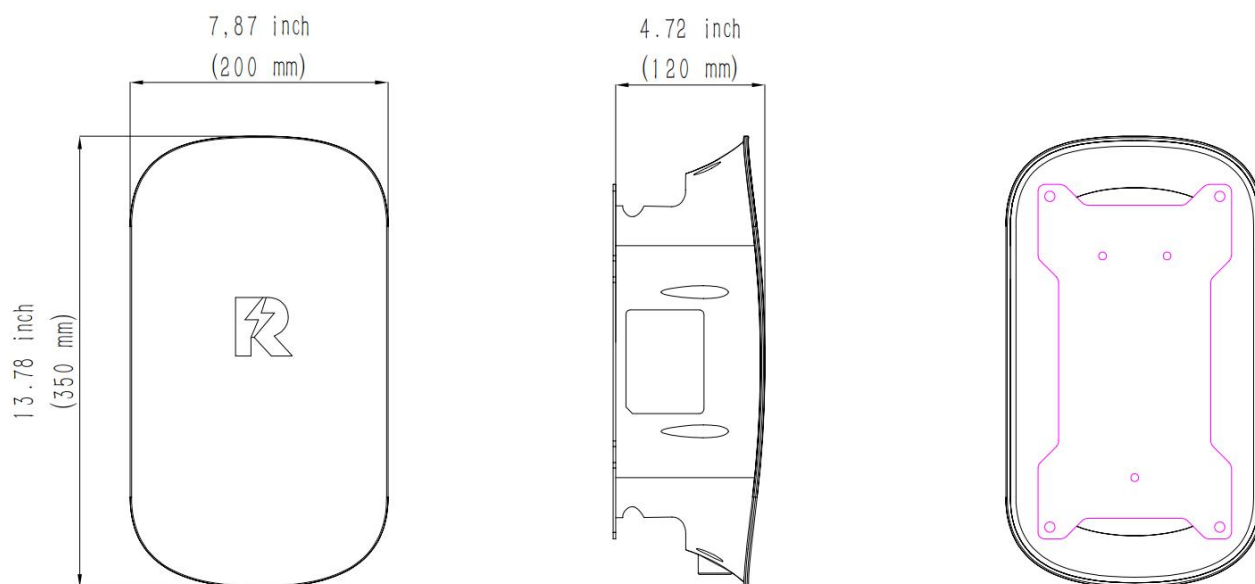
## RENOVA AC Lunar (ETL)

- OCPP 1.6J back-end system integration
- APP, RFID, Plug and Charge (ISO15118) (Free)
- Remote management
- Cellular, Ethernet, and Wi-Fi for communication
- Over-the-air updates (OTA)
- Complete control with mobile app
- Wall or pedestal mounted

Model	RCD240/32-1MBG-B-7.68kW	RCD240/40-1MBG-B-10kW
<b>Power Output Specification</b>		
Output Voltage	AC 240V	
Maximum Output Power	7.68kW	10kW
Output Current Range	6-32A	6-40A
Connector Type	SAEJ1772 Cable	
Power Measurement Accuracy	Class 1.0	
<b>Power Input Specification</b>		
Input Voltage	208~240V AC	208~240V AC
Frequency	50/ 60Hz	
Standby Power	<5W	
Input Cord	Hardwired	
<b>User Interface Specification</b>		
Status Indication	LED, APP	
User Authentication	APP, RFID Card	
User Interface	RENOVA Charge APP, RENOVA Charge Cloud	
Payment	APP, Contactless Card	
<b>Network Specification</b>		
Connectivity	Wi-Fi, Ethernet, 4G, CAN, RS485	
Communication Protocols	OCPP 1.6J (Can be Upgraded To OCPP 2.0.1 Later)	
Remote Management	Remote access, diagnostics, Over-the-Air (OTA) software update	
Load Management	Smart, dynamic allocation and distribution of power to EVSEs	
<b>Operational Specification</b>		
Enclosure Rating	NEMA 4	
Charging Cable Length	16 ft (5m), 25ft (7.6m) (Optional)	
Mounting Type	Wall or Pedestal mounted	
Operating Temperature	-22°F to 122°F (-30°C to +50°C)	
Storage Temperature	-44°F to 158°F (-42°C to +70°C)	
Relative Humidity	5% to 95%	
Altitude	≤6560ft (≤2000m)	
<b>Protection Specification</b>		
Ground Fault Detection	CCID 20mA	
Electrical Protection	Earth Leakage, over-voltage, under-voltage, overload, grounding fault, over-temperature	
Other Protections	Moisture-proof, mildew-proof, salt spray-proof	
<b>Regulation Specification</b>		
Standards	UL 2594, UL2231, CSA C22.2#280	
Certification	ETL, FCC, Energy Star	

"Specification are continuously updated; please refer to the latest version."

## DIMENSIONS



## PACKAGE

Cable Length	Carton Size	Qty / Carton	Net Weight / Carton	Gross Weight / Carton
5 m (16 ft)	453*338*189 mm (17.83*13.31*7.44 inch)	1 PCS	5.75kg (12.68 lbs)	7.32kg (16.14 lbs)

Tolerance of Carton Size:  $\pm 15$  mm ( $\pm 0.59$  inch). Tolerance of Weight:  $\pm 10\%$ .

