

RENOVA

RCD Group



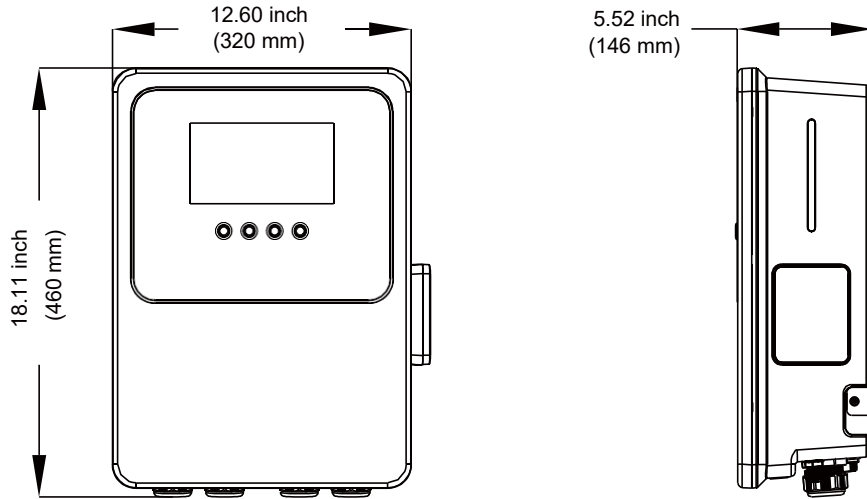
RENOVA AC Zeta (ETL)

- OCPP1.6J / 2.0.1
- APP, RFID Card, Credit Card
- NEMA 4 and IK08 rated
- Maintenance via Bluetooth app
- EMS API expansion capability
- OTA via Linux-based system
- ISO 15118 Plug and Charge

Model	R-EVC/A48S	R-EVC/A80S	R-EVC/A48D
Power Output Specification			
Output Voltage	208 or 240 Vac		
Maximum Output Power	11.5 kW	19.2 kW	11.5 * 2 kW
Maximum Output Current	48 A	80 A	2 * 48 A
Connector Type	SAE J1772 / NACS Cable		
Power Measurement Accuracy	±1%		
Power Input Specification			
Input Voltage	208 ~ 240 Vac		
Frequency	60 Hz		
Input Cord	Hardwired		
User Interface Specification			
Status Indication	LED/ APP/ Touch Screen (7" or 10.1")		
User Authentication	RFID, APP, QR code, Plug and Charge(ISO15118)		
User Interface	RENOVA Charge APP, RENOVA Charge Cloud		
Payment	QR code, Contactless/ Magnetic/ EMV Credit Card		
Network Specification			
Connectivity	Bluetooth, Wi-Fi, Ethernet, 4G, CAN, RS485		
Communication Protocols	OCPP 1.6J (Can Be Upgraded To OCPP 2.0.1 Later)		
Remote Management	Remote Diagnostics, Over-the-Air (OTA) Update		
Dynamic Load Management	Included		
Operational Specification			
Enclosure Rating	NEMA 4		
Charging Cable Length	16 ft (5m), 25ft (7.6m) (Optional)		
Mounting Type	Wall or Pedestal Mounted		
Operating Temperature	-22 °F to 122 °F (-30 °C to 50 °C)		
Storage Temperature	-40 °F to 185 °F (-40 °C to 85 °C)		
Relative Humidity	5% to 95%		
Altitude	≤ 6561ft (≤ 2000 m)		
Protection Specification			
Ground Fault Detection	CCID 20		
Electrical Protection	UVP, OVP, RCD (CCID 20), SPD, OCP, OTP		
Other Protections	Moisture-Proof, Mildew-Proof, Salt Spray-Proof		
Regulation Specification			
Standards	UL 2594, UL 2231, ISO 15118, FCC Part 15B, CSA C22.2 No.280		
Certification	ETL, FCC, CTEP, Energy Star		

"Specifications are continuously updated; please refer to the latest version."

DIMENSIONS



PACKAGE

Model	Carton Size	Qty / Carton	Net Weight / Carton	Gross Weight / Carton
R-EVC/A48S	630*400*380 mm (24.80*15.75*14.96 inch)	1 PCS	10.5kg (23.2 lbs)	12kg (26.5 lbs)
R-EVC/A80S		1 PCS	12.5kg (27.6 lbs)	14.5kg (32 lbs)
R-EVC/A48D		1 PCS	14.5kg (32 lbs)	16kg (35.3 lbs)

Tolerance of Carton Size: ± 15 mm (± 0.59 inch). Tolerance of Weight: $\pm 10\%$.

